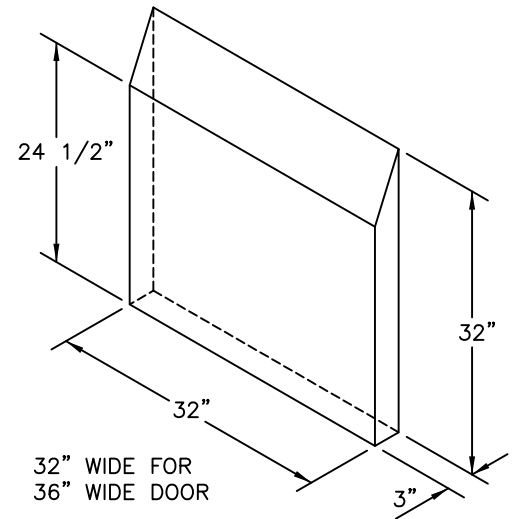


FIGURE A



SPACE GUARD (BAFFLE) DETAIL

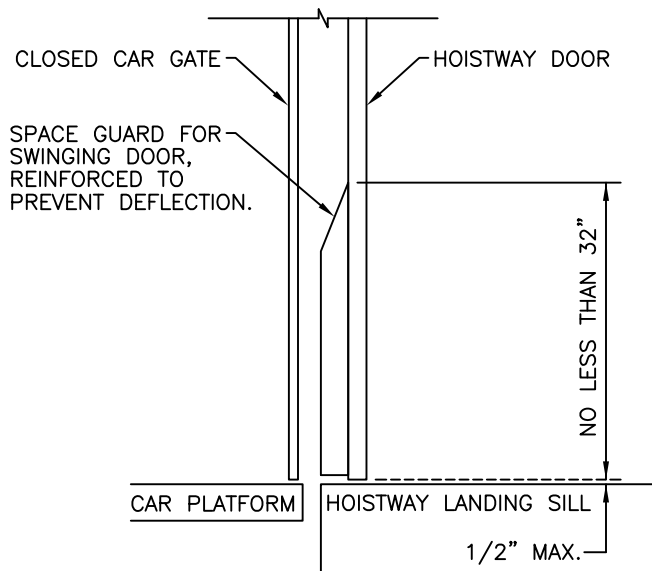


FIGURE B

R.E.A.L. Elevator Solutions, Inc.
 P.O. Box 91771
 Raleigh, NC 27675
 Toll Free: 866-550-REAL
 Fax: 919-788-7633
 sales@realelevators.com
**ROPED HYDRAULIC
 RESIDENTIAL ELEVATOR**

REAL
 Elevator Solutions, Inc.
 Residential Elevators & Accessibility Lifts